

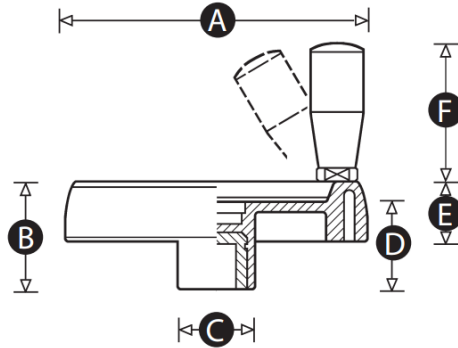
G01FHHW Solid Control Handwheel With Folding Handle

Features

- Complete with revolving folding handle

Material

- Body: High impact resistant thermoplastic, matt black
- Insert: Zinc plated steel



Part No.	A	B	C	D	E	F	Pilot Bore	Maximum Bore
G01FHHW-5453T	100	39	30	34	21	55	8	16
G01FHHW-5454W	125	44	36	37	24	76	8	16
G01FHHW-5455P	150	53	38	43	29	90	8	20
G01FHHW-5456R	175	56	40	46	32	98	8	20
G01FHHW-5457U	200	59	44	49	35	98	8	20

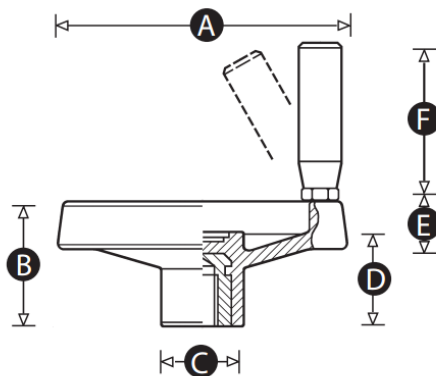
G02FHHW Spoked Control Handwheel With Folding Handle

Features

- Complete with revolving folding handle

Material

- Body: High impact resistant thermoplastic, matt black
- Insert: Zinc plated steel



Part No.	A	B	C	D	E	F	Pilot Bore	Maximum Bore
G02FHHW-5274U	130	49	31	35	20	76	8	16
G02FHHW-5275X	160	56	40	40	24	76	8	20
G02FHHW-5276P	200	61	50	40	28	76	8	20
G02FHHW-5277S	250	70	56	44	32	96	8	20